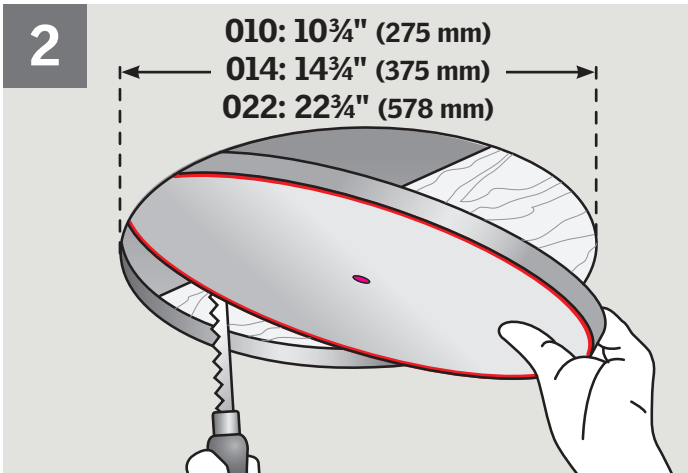
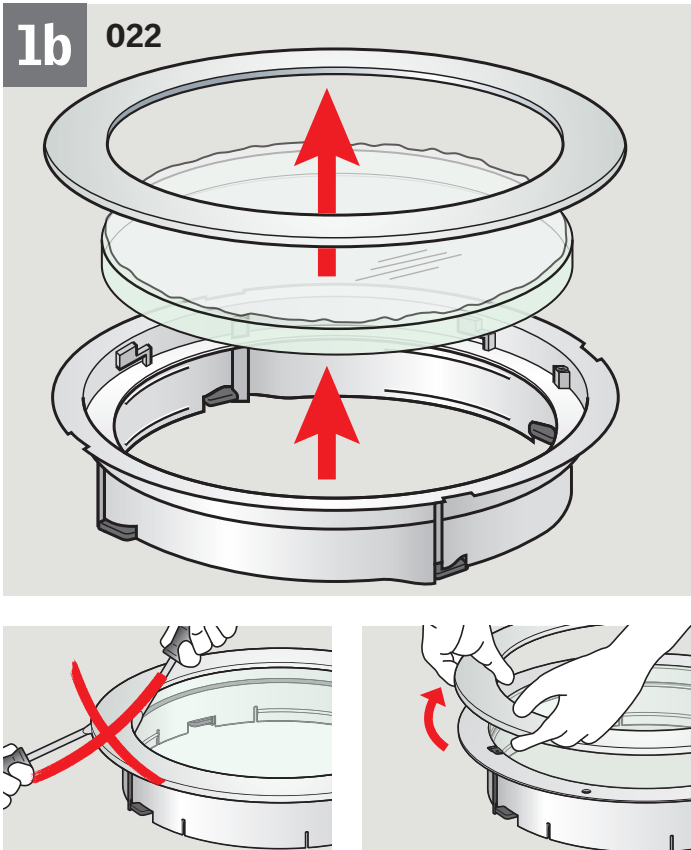
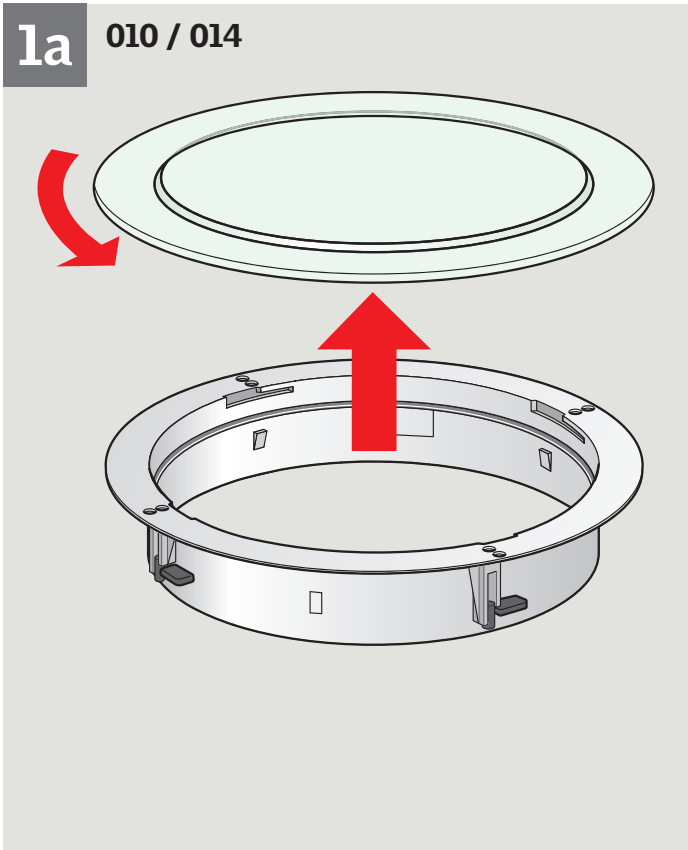


THC 010 / 014 / 022

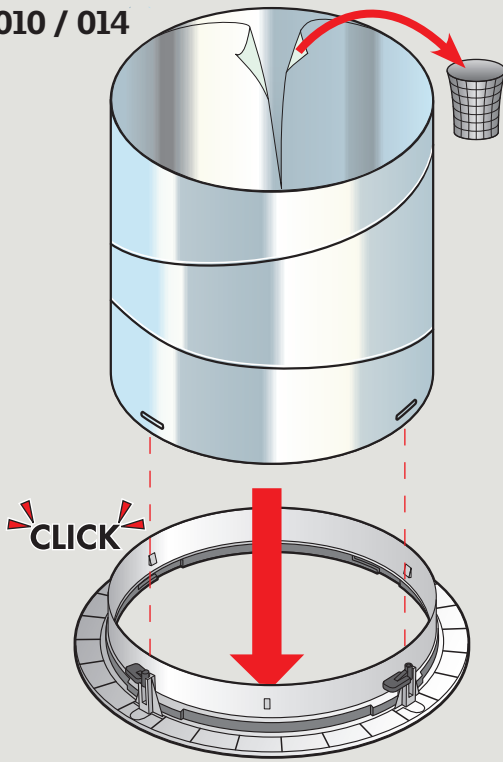


INSTALLATION INSTRUCTIONS FOR THC 010 / 014 / 022. ©2013. 2018 VELUX GROUP. VELUX AND THE VELUX LOGO ARE REGISTERED TRADEMARKS USED UNDER LICENCE BY THE VELUX GROUP.



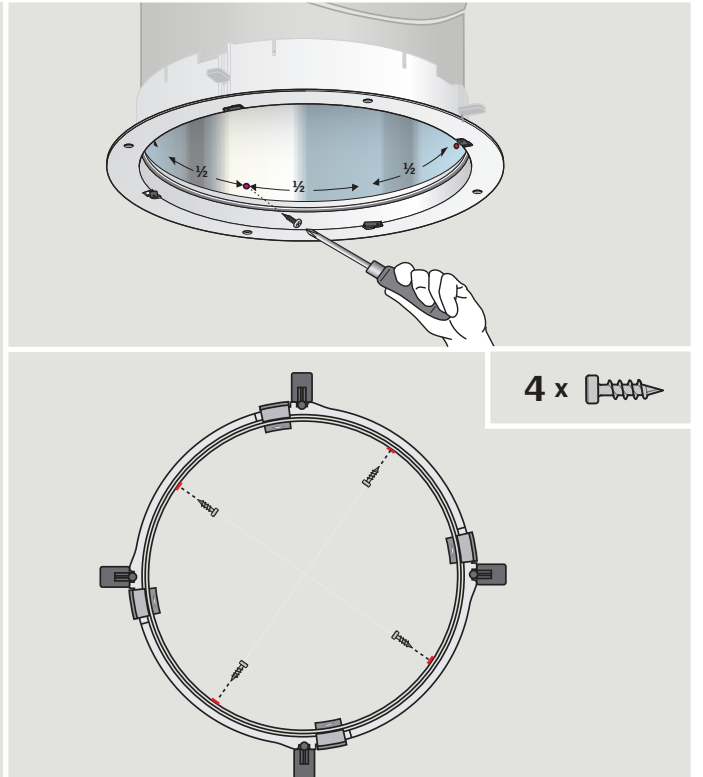
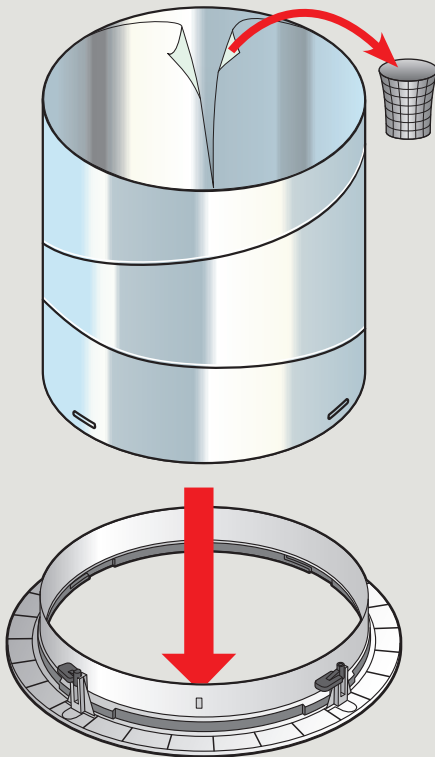
3a

010 / 014

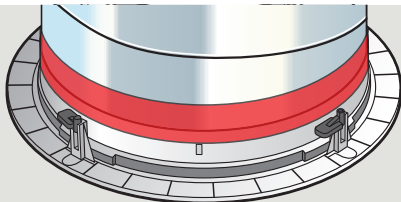


3b

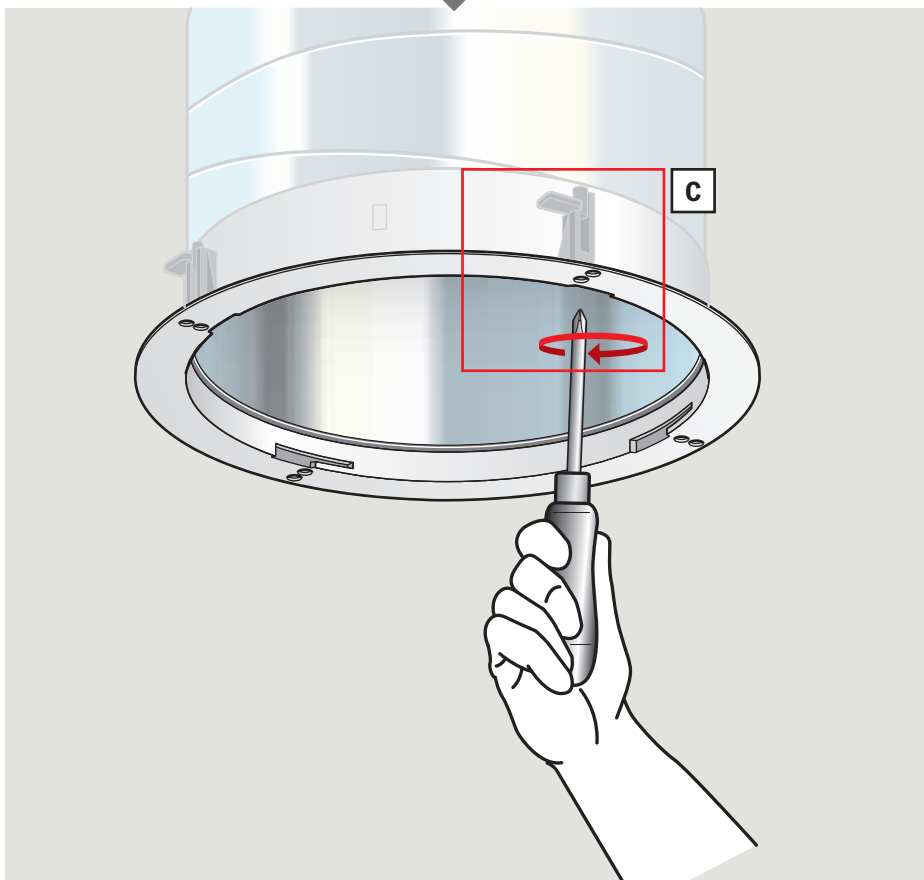
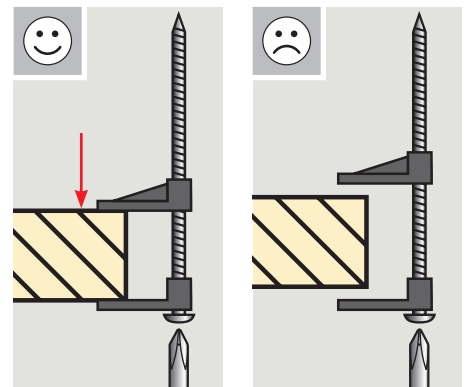
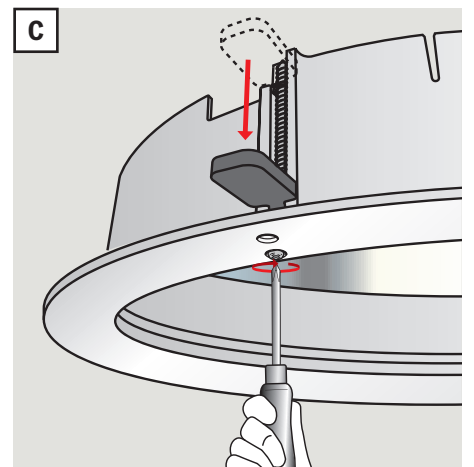
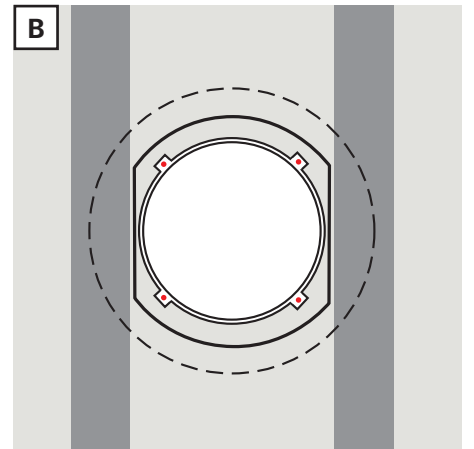
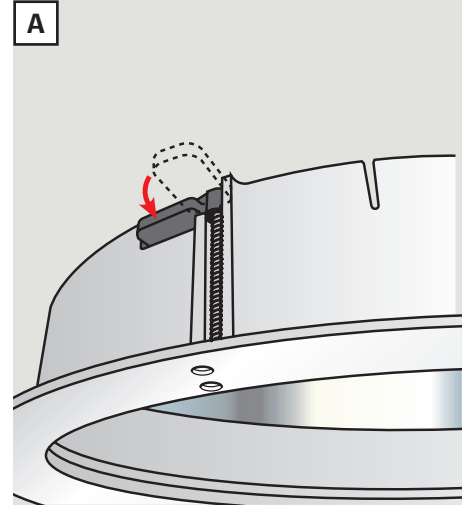
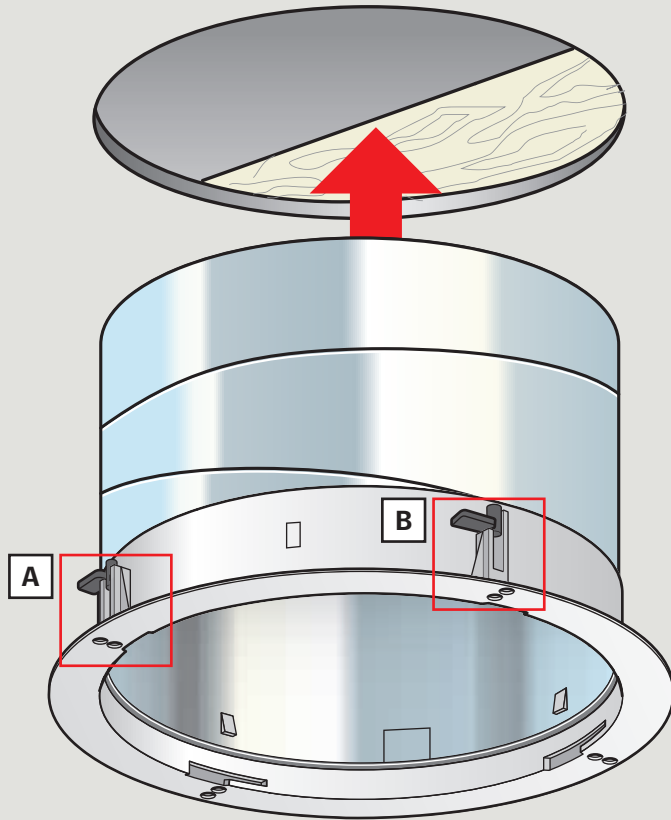
022



4



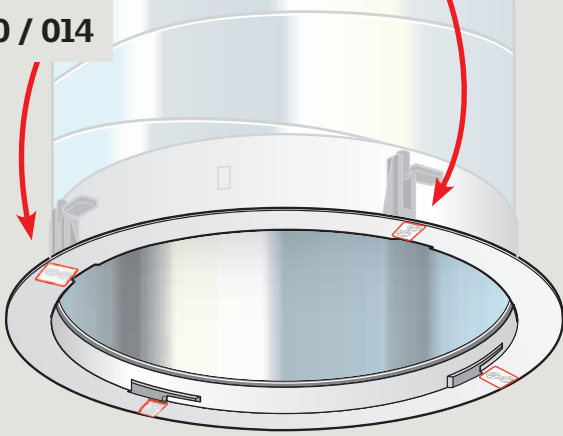
5



6a



010 / 014



6b

022

